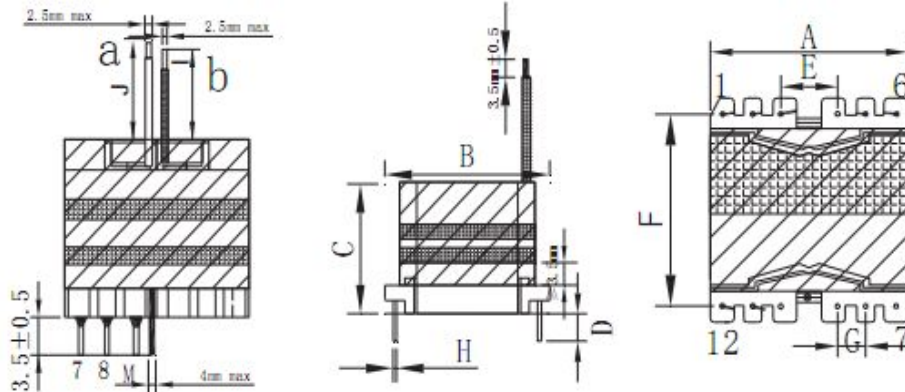


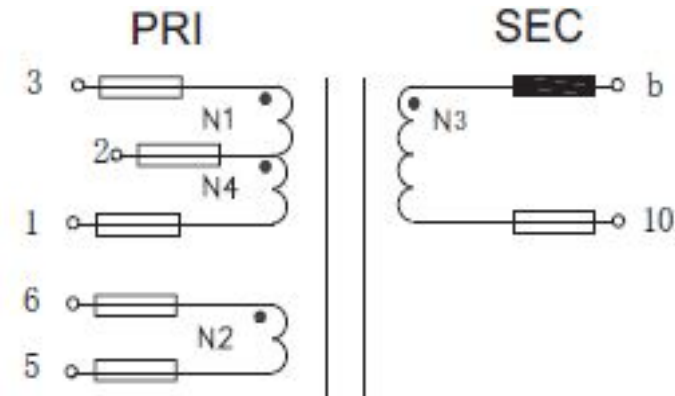
CUSTOMER TERMINAL	ROHS	Lead(Pb)-free
	YES	YES

## 1. Mechanical Dimensions



A	35.0	MAX
B	35.0	MAX
C	26.5	MAX
D	3.5	±0.5
E	7.4	±0.3
F	30.0	±0.4
G	5.0	±0.3
H	0.8	±0.1
I	50.0	±2.0
J	70.0	±2.0

## 2. Schematic Diagram



## 3. Material List

Core:FW44 PQ3225

Bobbin:FWB3202-1(6+6PIN)

Wire: TIW LITZ

Copper foil:0.025t\*8.0mm

Operating Temperature: -30 to115 °C

## 4. Electrical Specification

Inductance :  $L(1-3):500\mu H \pm 5\%$  60KHZ , 1.0V

Leakage Inductance : 15uH MAX 60KHZ , 1.0V

DCR : (1-3)=0.288Ω MAX (10-B)=91.2mΩ MAX

Hi-Pot:P-S: AC 60Hz 4000V 1mA 3S

S-CORE: AC 60Hz 4000V 1mA 3S

REV.	DATE	<p>Convention Placement</p>	DRW.		Drawing Title:	Part No:
0	00/00		CHK.			
				APP.		Customer P/N

**ROHS**

[www.ferriwo.com](http://www.ferriwo.com)